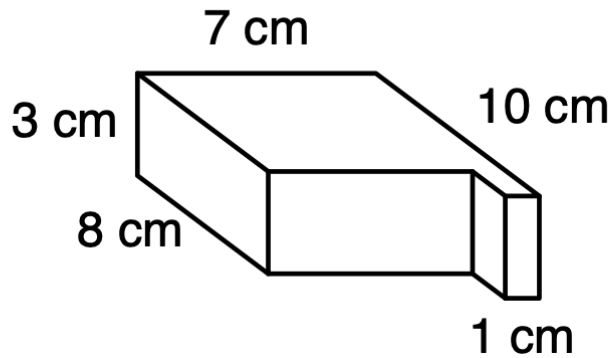


Mathematical Applications

1. Solve:



Volume: _____

- *Convert measurement to decimeters.*

2. Convert:

Fifty-two degrees Fahrenheit to Celsius.

3. Solve:

Five and two-thirds subtracted by two and three-fourths.

- *Convert difference to a decimal.*

